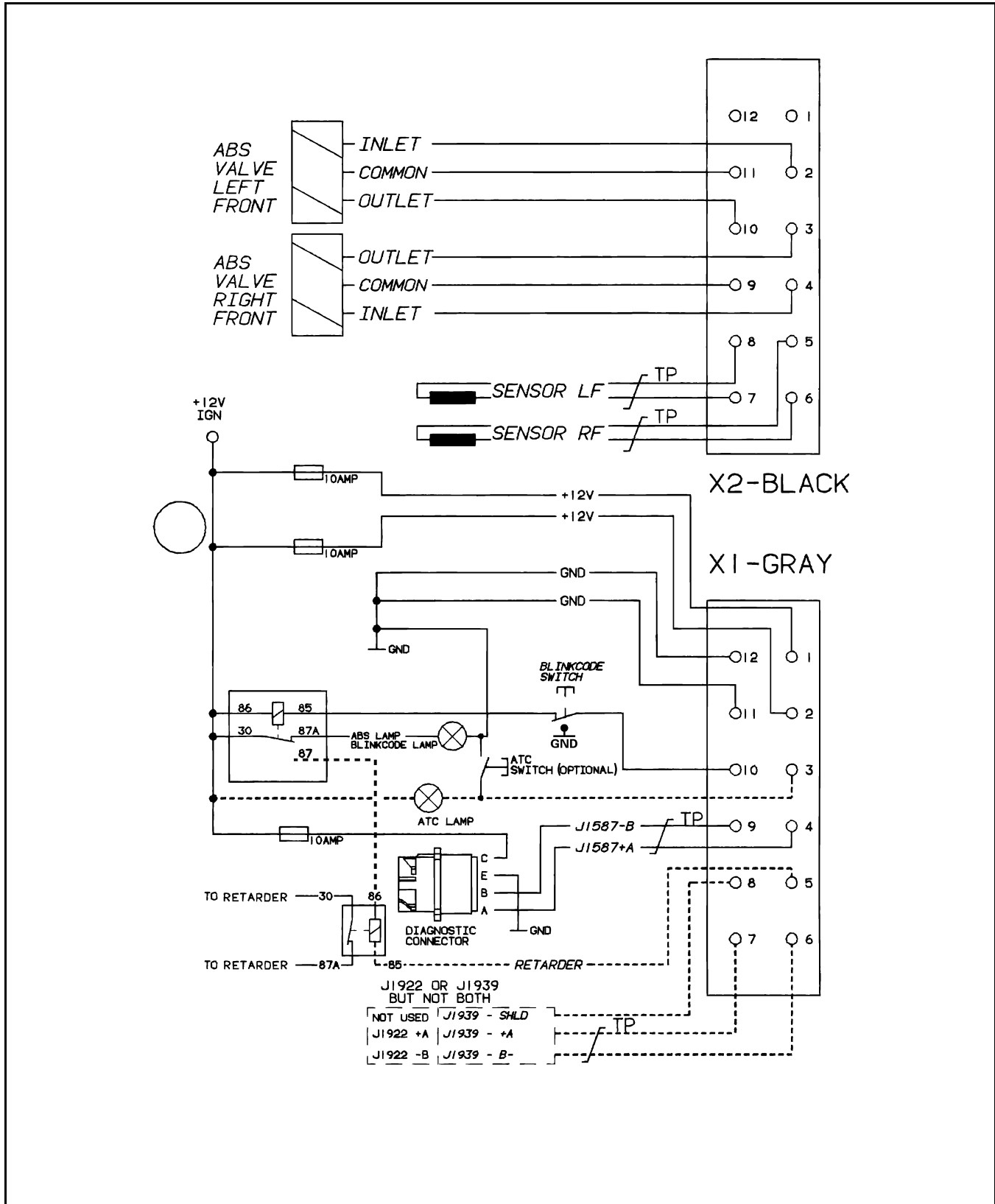
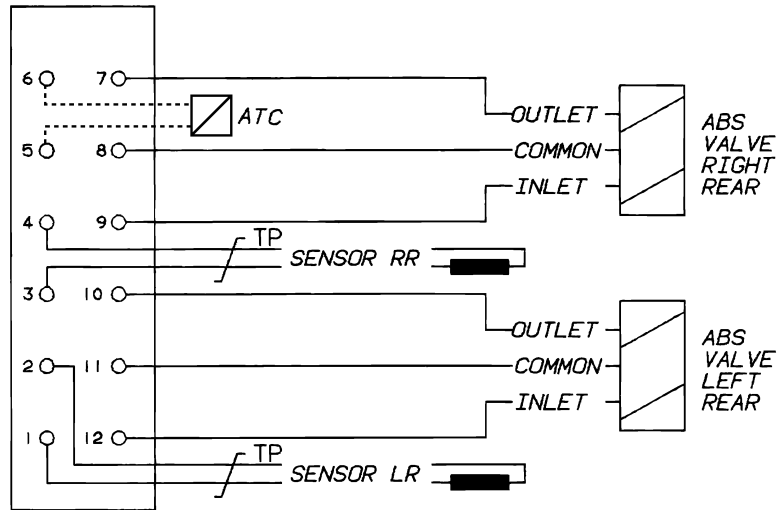


# Appendix II Wiring Diagrams

**MERITOR WABCO**

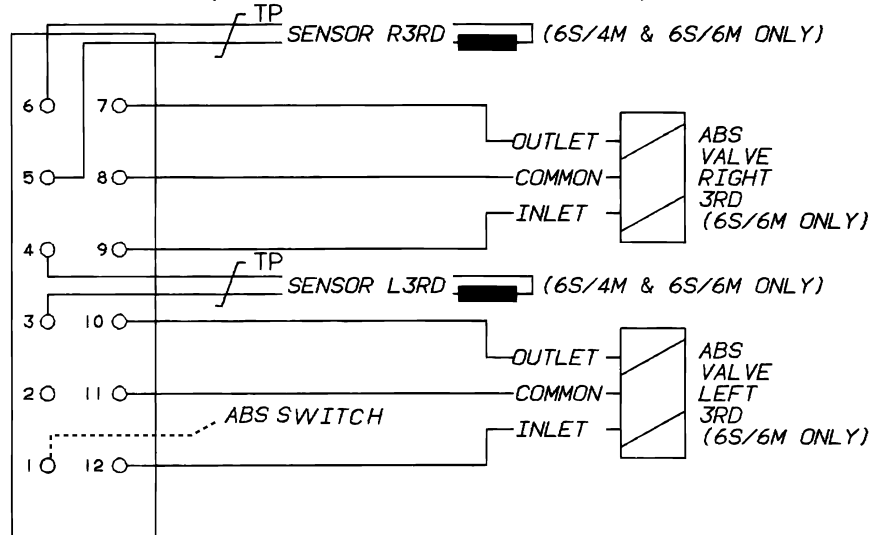
## D Version Frame-Mounted ABS/ATC ECU





X3-GREEN

X4-BROWN (ONLY FOR 6 CHANNEL)



- 1) ----- OPTIONAL EQUIPMENT
- 2) TP = TWISTED PAIR