

# MODULAR

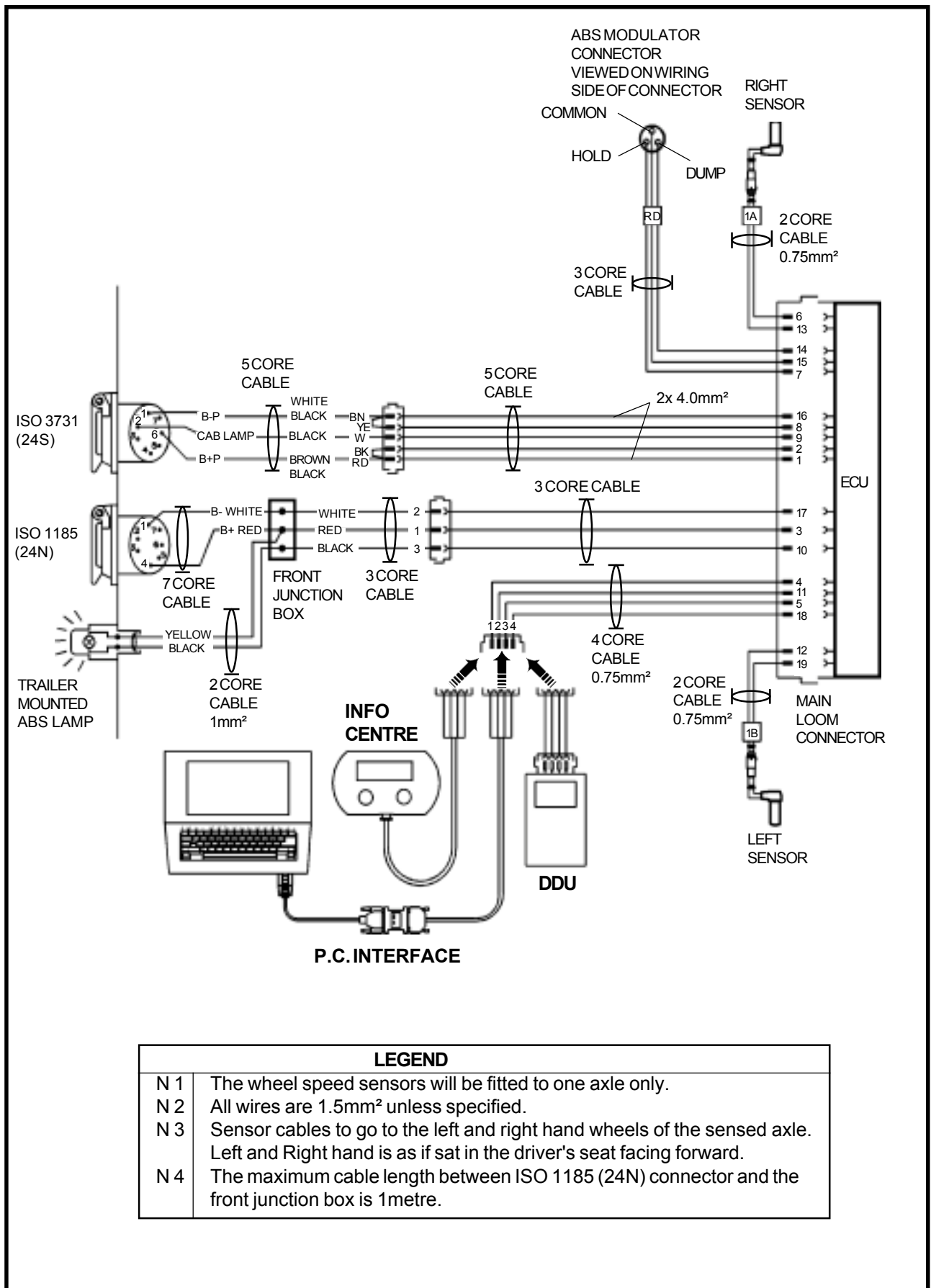


Fig 12.4 MODULAR 1 UPGRADE WIRING DIAGRAM ISO 3731 (24S) AND ISO 1185 (24N) POWER