

MODAL

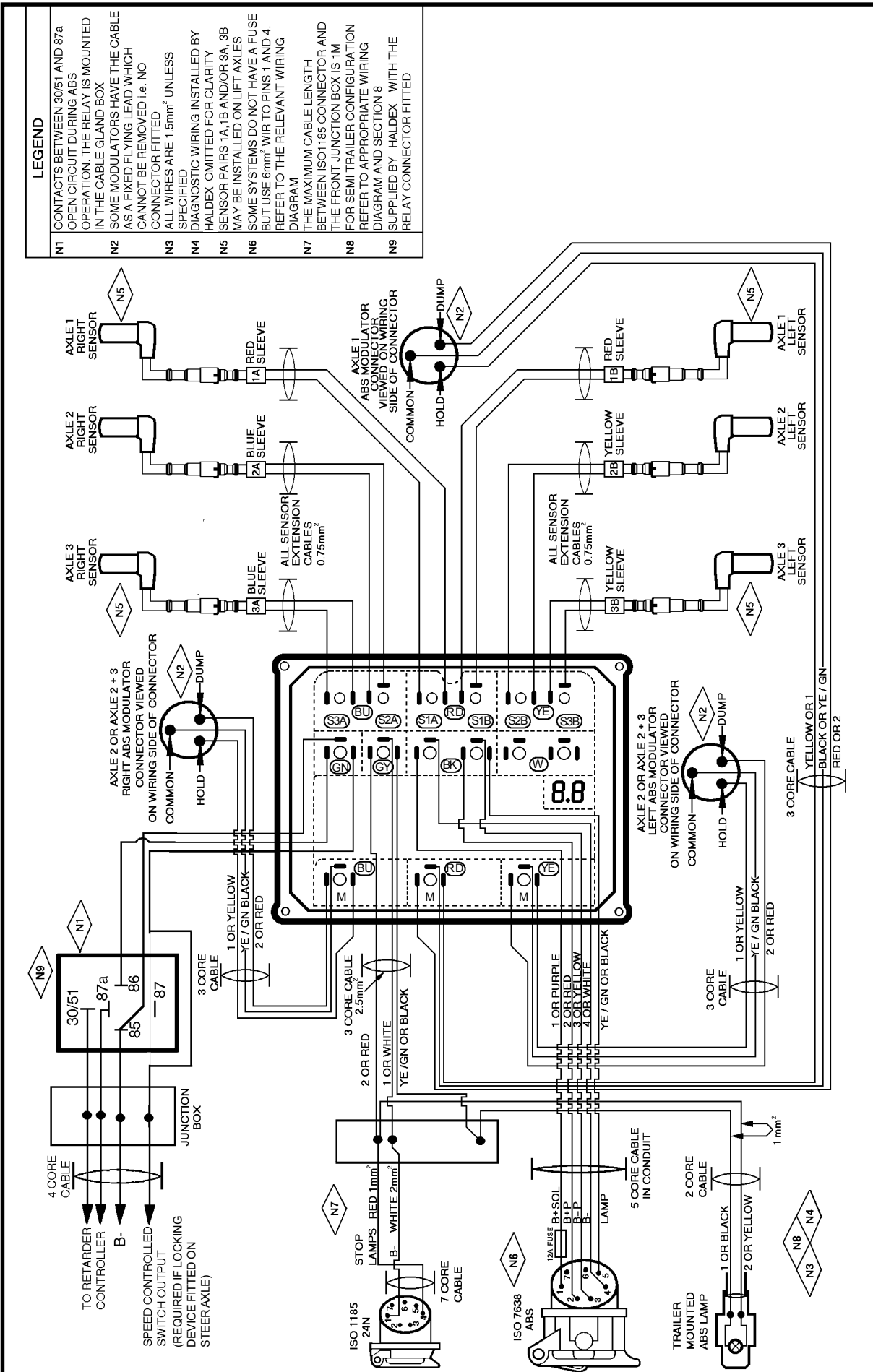


Fig 11.10 MODAL SEMI TRAILER WIRING DIAGRAM 6S/3M WITH RETARDER